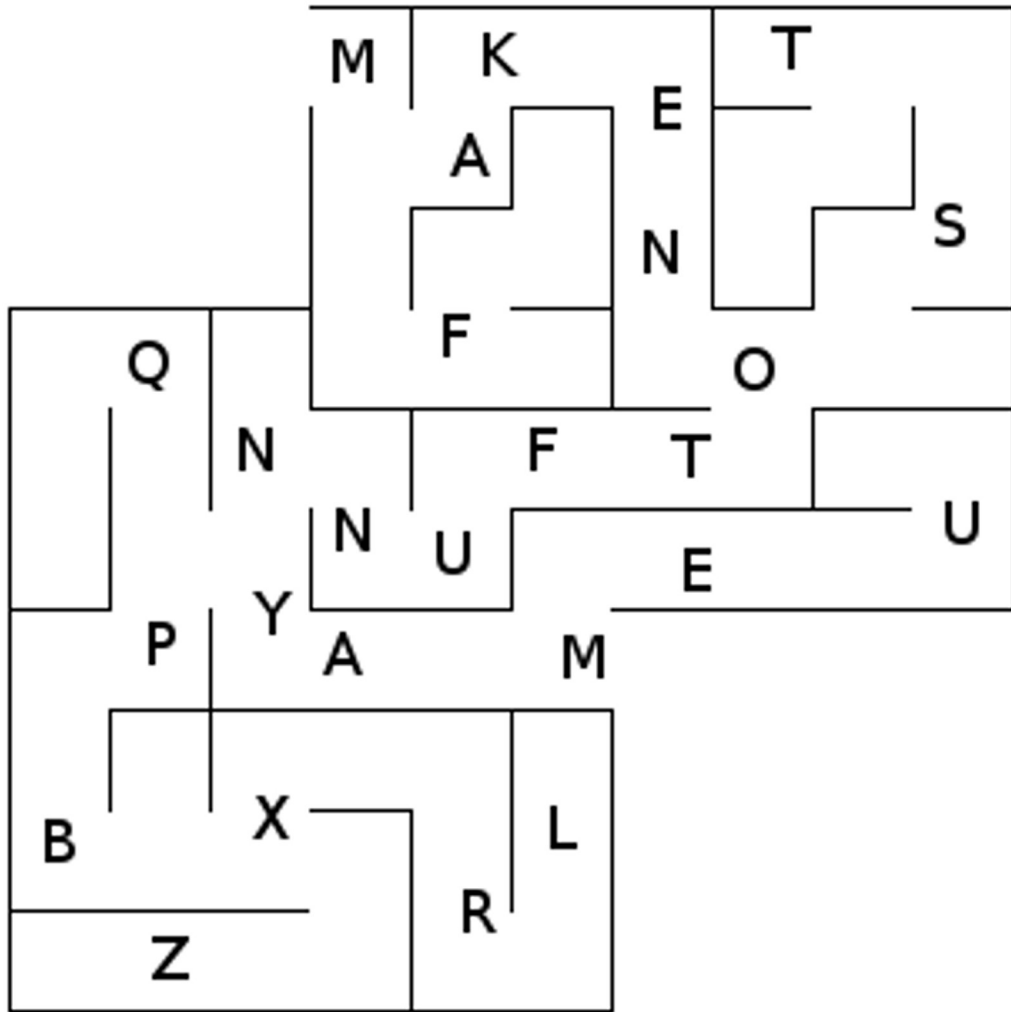


# Sight Word Maze



Write Letters Here:

\_\_\_\_\_

\_\_\_\_\_

\_\_\_\_\_

\_\_\_\_\_

# Spy Sight Words



am

1.

---

not

2.

---

funny

3.

---

make

4.

---

# Sight Word Graphing

10						
9						
8						
7						
6						
5						
4						
3						
2						
1						
	not	make	funny	am		

## Round 2

10						
9						
8						
7						
6						
5						
4						
3						
2						
1						
	not	make	funny	am		