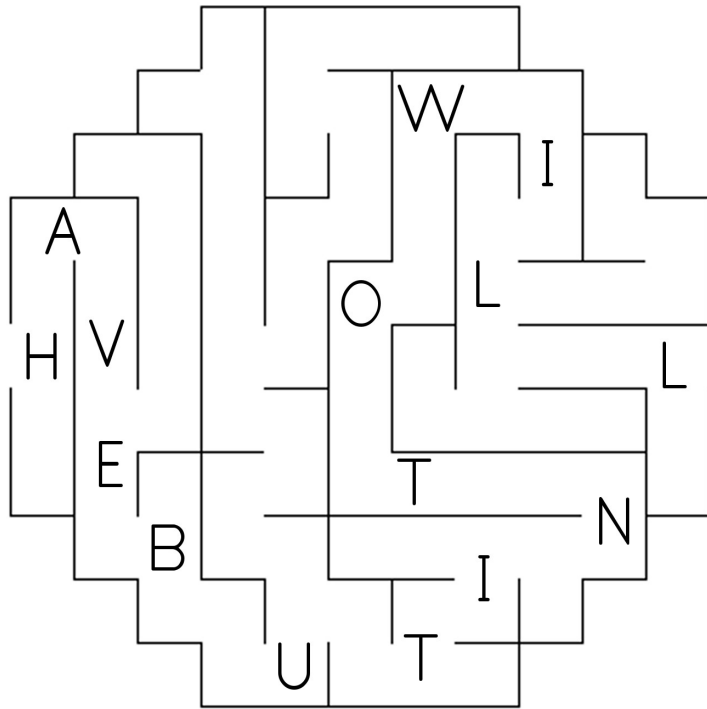


Sight Word Maze



Write Letters Here:

Spy Sight Words



but

1.

into

2.

will

3.

have

4.

Sight Word Graphing

10						
9						
8						
7						
6						
5						
4						
3						
2						
1						
	but	have	will	into		

Round 2

10						
9						
8						
7						
6						
5						
4						
3						
2						
1						
	but	have	will	into		