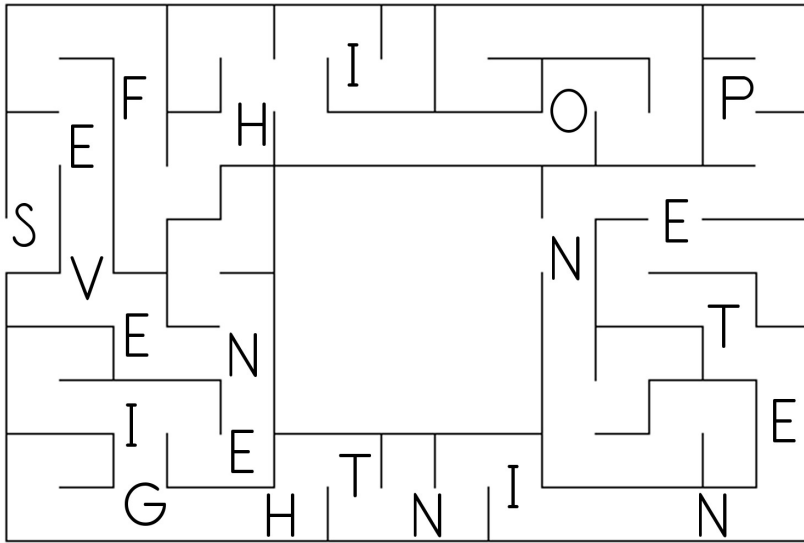


# Sight Word Maze

Write Letters Here:



\_\_\_\_\_

\_\_\_\_\_

\_\_\_\_\_

\_\_\_\_\_

# Spy Sight Words



ten

seven

eight

nine

1.

---

2.

---

3.

---

4.

---

# Sight Word Graphing

10						
9						
8						
7						
6						
5						
4						
3						
2						
1						
	seven	eight	nine	ten		

## Round 2

10						
9						
8						
7						
6						
5						
4						
3						
2						
1						
	seven	eight	nine	ten		