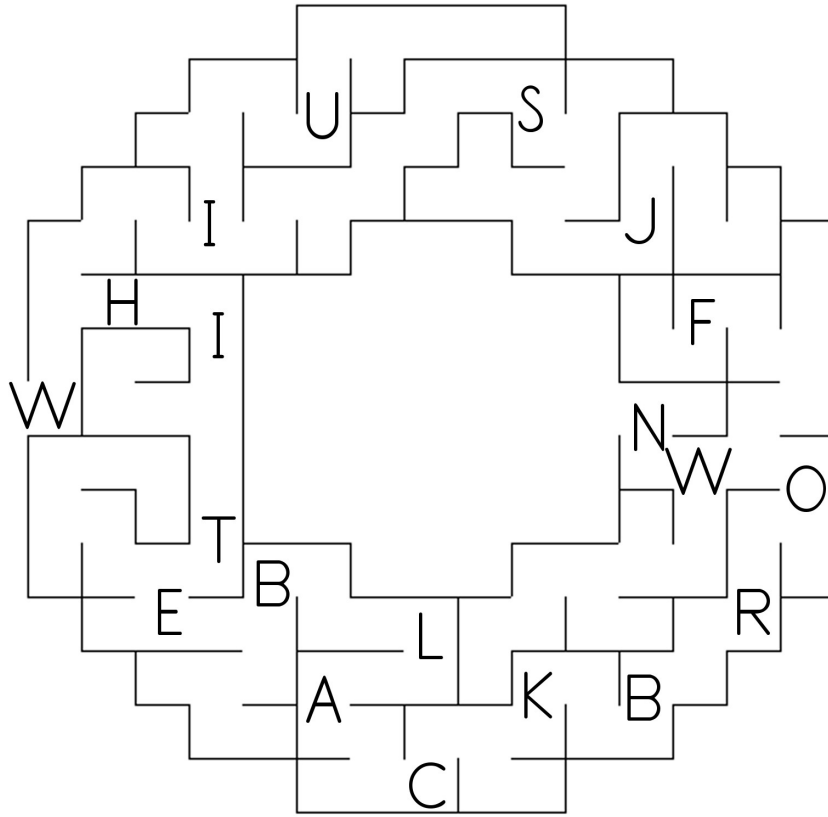


# Sight Word Maze



Write Letters Here:

\_\_\_\_\_

\_\_\_\_\_

\_\_\_\_\_

# Spy Sight Words



brown

1.

---

black

2.

---

white

3.

---

# Sight Word Graphing

10						
9						
8						
7						
6						
5						
4						
3						
2						
1						
	black	brown	white			

## Round 2

10						
9						
8						
7						
6						
5						
4						
3						
2						
1						
	black	brown	white			