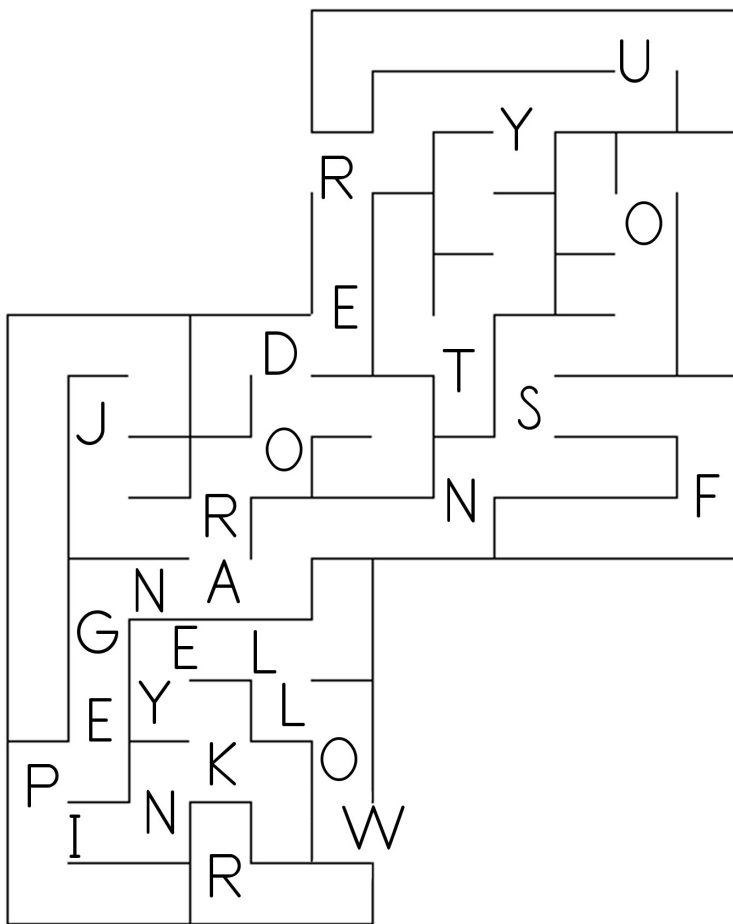


Sight Word Maze



Write Letters Here:

Spy Sight Words



orange

yellow

red

pink

1.

2.

3.

4.

Sight Word Graphing

10						
9						
8						
7						
6						
5						
4						
3						
2						
1						
	yellow	orange	red	pink		

Round 2

10						
9						
8						
7						
6						
5						
4						
3						
2						
1						
	yellow	orange	red	pink		